

Arktis Laser Product Datasheet

Galileo Pro Portable Alignment Laser Module

**Arktis Laser Part Number:
GGE005XXX**

Similar Products:

For information about the other lasers in this product family visit:

<http://www.arktislaser.com/GGEGGE>

Ordering:

Order Online Now or Request Quote:

<http://www.laserglow.com/GGE005XXX>

Series Specifications:

Nominal Wavelength	532 nm
Output Type	CW
Laser Source Type	DPSS



Overview:

Galileo Pro with adjustable beam alignment. Adjustable set screws can be used to direct the beam parallel to the housing, as beams in most hand-held laser pointers are not guaranteed parallel. This makes the Galileo PRO a perfect choice where the body of the laser should serve as your alignment guide, or when the laser rotates on a shaft.

All of Laserglow's green laser pointers are IR-filtered for safety and employ APC technology to maintain constant output power. APC (Automatic Power Control) is a system that uses an optical feedback loop to ensure stable laser output.

Key Features:

- *Starting at: \$129*
- *Output Power: 3 mW - 5 mW (model dependent)*
- *Casing: Hard Anodized black machined aluminum*
- *Wavelength: 532 nm (green)*
- *Key Feature: 100% continuous operation*
- *Key Feature: 4 Adjustable set screws to allow beam steering*
- *Package Includes: Portable laser, battery, Allen key, carrying case, instructions/warranty.*
- *Safety Info: Complies with Class IIIa regulations.*
- *Duty Cycle: 100%*

Quality, safety and unique features make Laserglow the leader in green pointers. [Learn more here.](#)

Specifications:

This spec sheet has been generated specifically for part number GGE005XXX, per your request, and data for the entire series is also displayed for your reference. The specs which are specific to GGE005XXX have been highlighted below in **red + bold**.

Output Power (mW)	<5
Central Wavelength (nm)	531.65
Divergence (mrad, full angle)	<1.2
Beam Dimensions (mm, 1/e ²)	1.5
Operating Temperature Range (°C)	15 to 35
Total Power Consumption (W)	2
Max. Power Input Duty Cycle	100%
Standard Warranty (months)	6
MTTF (operational hours)	5000
Weight of Product or Laser Head (kg)	0.08
Dimensions of Product or Laser Head (mm)	118 (l) x 20 (d)
Power Supply	1 x CR123A Battery

CW: All specifications are based on performance at full output power and after the specified warmup period. Output characteristics may change if the laser is run at a different power level.

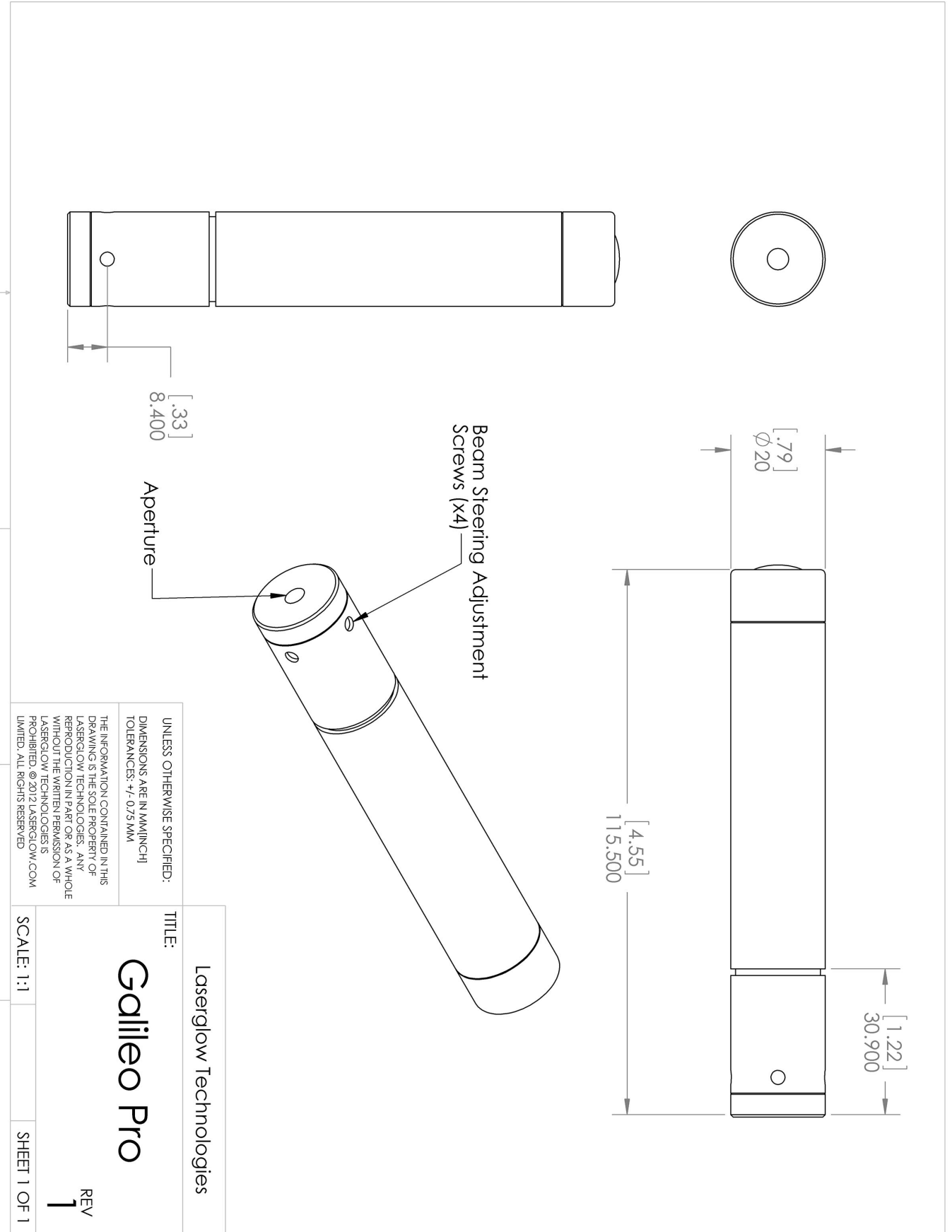
Q-Switched: Specifications are based on the laser pulsing at the specified design frequency. Output characteristics may change if the laser is run at a different frequency.

Regulatory Classification:

The model you have selected (GGE005XXX) requires the following safety label(s):






Dimensional Drawing - Laser Form Factor: GGE:



<p>UNLESS OTHERWISE SPECIFIED: DIMENSIONS ARE IN MILLIMETER TOLERANCES: +/- 0.075 MM</p>	
<p>THE INFORMATION CONTAINED IN THIS DRAWING IS THE SOLE PROPERTY OF LASERGLLOW TECHNOLOGIES. ANY REPRODUCTION IN PART OR AS A WHOLE WITHOUT THE WRITTEN PERMISSION OF LASERGLLOW TECHNOLOGIES IS PROHIBITED. © 2012 LASERGLLOW.COM LIMITED. ALL RIGHTS RESERVED</p>	
<p>TITLE:</p> <p>Galileo Pro</p> <p>REV 1</p>	<p>Laserglow Technologies</p> <p>SCALE: 1:1</p> <p>SHEET 1 OF 1</p>

Accessories:

The most popular accessories for model GGE005XXX are shown below. For additional details regarding these or other accessories please see our website or contact us directly.

Part Number	Description	
 ATPC50XXX	Table Top Tripod Max height 600mm Full Details: www.arktislaser.com/ATP	
 ATPC30XXX	Mini Tripod Max height 175mm Full Details: www.arktislaser.com/ATP	
 AGM00BXXX	Brightline/Galileo Tripod Adaptor 20.1mm ID Full Details: www.arktislaser.com/AGM	

FOR MORE INFORMATION PLEASE CONTACT:

Arktis Laser
112 Elizabeth St, Unit 5-331, Toronto, ON, Canada M5G 1P5
Tel. (416) 886-1178 Fax (647) 874-7129
sales@arktislaser.com www.arktislaser.com

E&OE: Data included in this sheet may be subject to change without notice.

Please confirm critical specifications with our staff prior to ordering.